

# Isolation Enclosures

**DATA OPTICS, INC.**

115 HOLMES ROAD • YPSILANTI MICHIGAN 48198-3020  
(800)321-9026 (734)483-8228 Fax:(734)483-9879

## Enhance the Fringe Stability of Your Interferometric System

Stability of a two-beam interferometer is extremely sensitive to environmental parameters. Vibration-isolated optical tables reduce only one of the six destabilization effects on interferometric systems. Our Environmental Isolation Enclosures provide a solution to reduce the other five factors.

### Reduced with Vibration-Isolated Optical Tables:

Mechanical Vibration

### Reduced with our Environmental Isolation Enclosure:

Air Turbulence      Acoustic Noise      Airborne Pollutants  
Humidity Fluctuations      Temperature Drift

## Features

### Temperature and Humidity Stabilization

Utilizing state-of-the-art materials and construction methods, Data Optics has engineered a panelized enclosure that isolates the optical system from the influence of external temperature and humidity fluctuations.

### Air Turbulence and Acoustic Noise Protection

The use of rigid isolation panels with peripheral air-tight sealing allows the Data Optics enclosures to suppress air movement and acoustic noise generated by sources such as heating, ventilation and air conditioning systems, and human movement.

### Reduction of Airborne Pollutants

An additional benefit of the air-tight sealing of the Data Optics enclosures is their ability to reduce the ingress of airborne pollutants. Filters can optionally be used right after sealing to remove trapped particles and chemicals.

### Modular and Lightweight

Engineered with modular construction for fast, easy assembly and disassembly by one person. Lightweight aluminum frames and ultra-light removeable panels allow quick, easy access from all four sides and the top.



## DATA OPTICS, INC.

115 HOLMES ROAD • YPSILANTI MICHIGAN 48198-3020  
(800) 321-9026 (734) 483-8228 Fax:(734) 483-9879

# Isolation Enclosures

## Specifications:

### Frame

Lightweight anodized aluminum tubular frame with aluminum die-cast corner mounts; both strong and inobtrusive to the experimenter during setup.

### Removeable Panels

Rigid ultra-light honeycomb core with flat black formica exterior and easy grip handles. Panels provide the following features:

- Superior thermal and electrical insulation
- Corrosion resistant
- Fungus resistant
- Water resistant
- Superior dielectric properties

### Standard Sizes

Widths available in increments of 4 or 5 feet. Lengths available in increments of 2 feet. Heights available: 2, 3, or 4 feet. Non-standard sizes are also available at no additional charge.

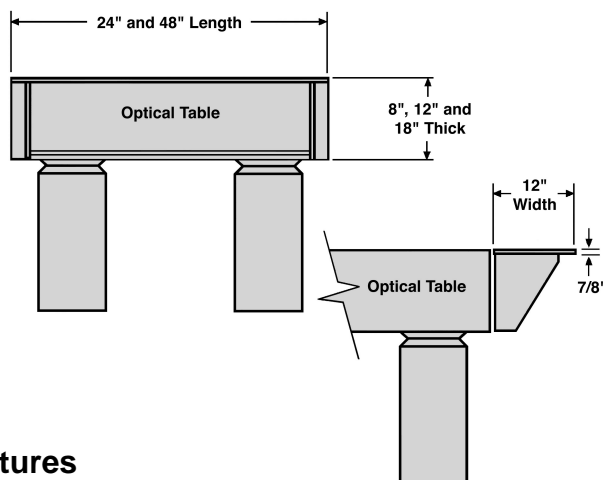
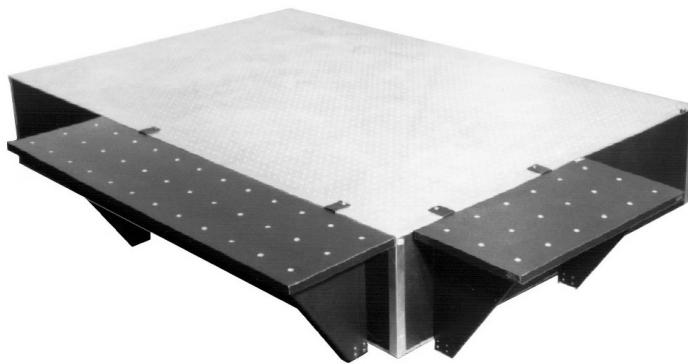
### Options

- Laser Beam Entry Ports
- Viewing Ports
- Internal Lighting Modules
- Wire Feedthru Ports
- Vibration Isolation Interface

### Custom Design

Data Optics welcomes inquiries on special applications or needs. We are always available to assist and advise on the construction of special enclosures.

## Optical Table Extenders



### Features

- Low profile mounting, flush with table surface
- Mounts directly to 8", 12" and 18" thick tables
- Built-in leveling capability
- Converts to table top mounted shelf
- Easily located anywhere along the table edge
- Easy to assemble and disassemble

## Expand the Work Space on Your Optical Table

The Optical Table Extender is a simple and cost effective way to add precious work space to your optical table. This versatile design provides multi-purpose usage as a table extender or as a table top shelf. It accommodates lasers, instrumentation, tools and various other types of support equipment.

### Specifications

#### Top

- Rigid fiberboard substrate
- Laminated, black textured surface

#### Supports

- Steel reinforcement structure
- Aluminum support gussets

#### Mounting

- Mounts directly to the table surface
- Locking clamp on table bottom
- Accommodates 8", 12" and 18" thick tables

#### Standard Sizes

- 12" wide x 24" long (150 lb. load)
- 12" wide x 48" long (200 lb. load)
- Custom sizes are available on request

#### Options

- Shelf kit
- 1/4"-20 threaded inserts on 2" centers